

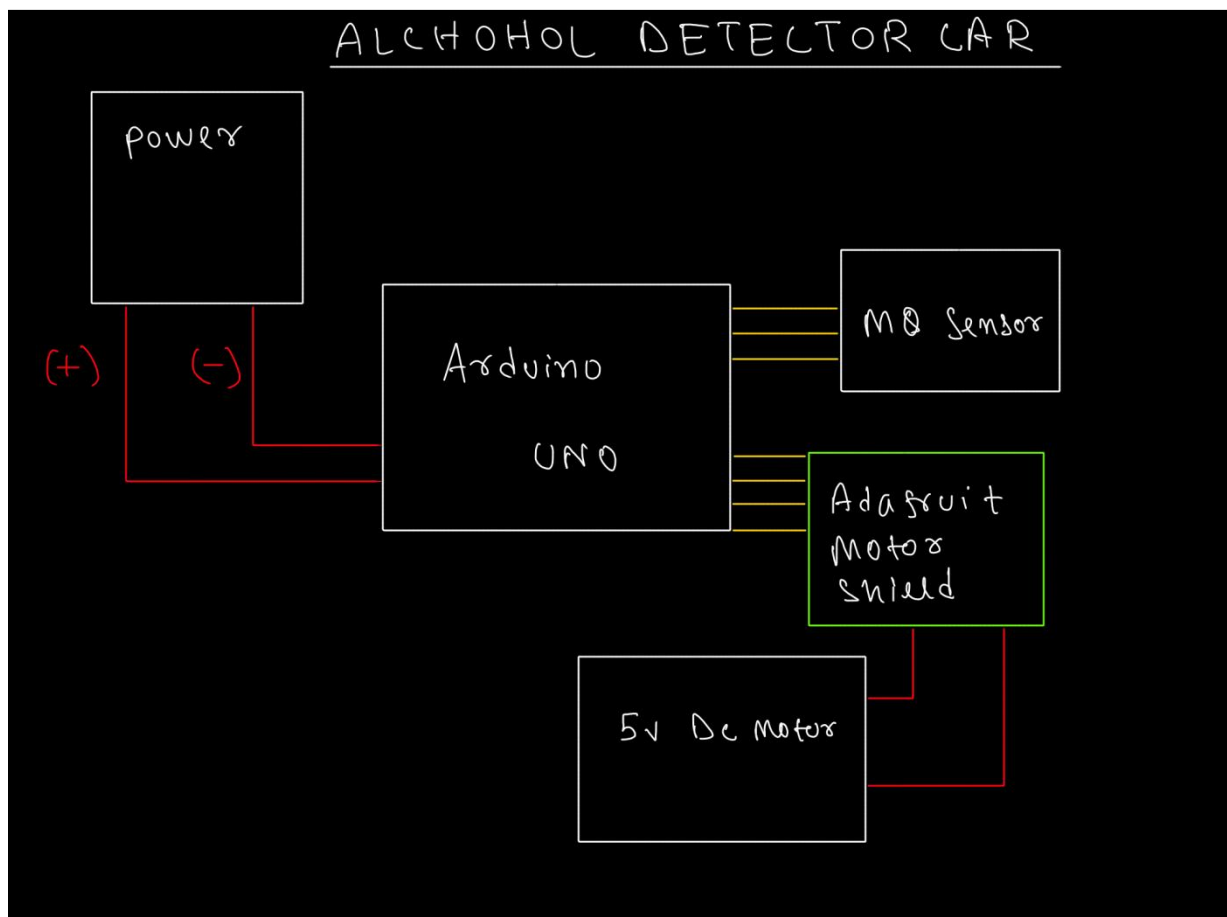
ALCOHOL DETECTOR CAR

Description: The Integrated ATL Project Alcohol Detector Car has been ideated to stop the dangerous practice of Drink and Drive which has proved to be threatening our lives for several Years.

Materials Used:

1. Arduino Uno (Micro-controller)
2. MQ Sensor (Gas Detector)
3. Adafruit Motor Shield (Motor Driver)
4. Jumper Wires
5. 5v Dc Motors
6. Battery (As power Source)

Images Of The Model:



Team: